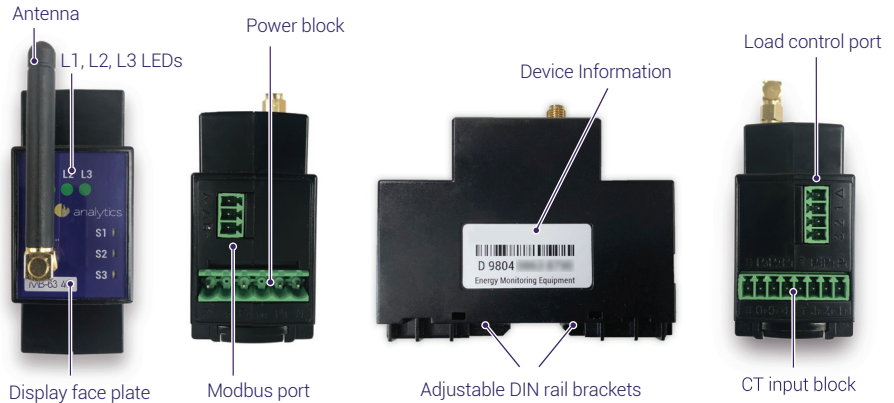


Solar Smart Monitor with Modbus MB-63



solar analytics



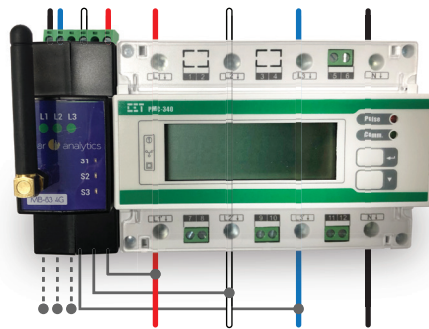
Typical Configuration

Single Phase Pass Through Bundle



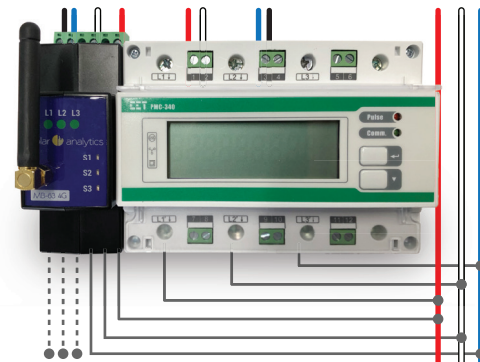
Suitable for up to 60A single phase applications. Solar Smart Monitor supplied with 3 x 60A CTs (expandable to 6 CTs). CET meter supplied in direct current configuration.

Three Phase Pass Through Bundle



Suitable for up to 100A three phase applications. Solar Smart Monitor supplied with 3 x 120A CTs (expandable to 6 CTs). CET meter supplied in direct current configuration.

Three Phase CT Bundle



Suitable for up to 600A three phase applications. Solar Smart Monitor supplied with 3 x 600A CTs (expandable to 6 CTs). CET meter supplied with 3 x 600A CTs.

Features

- ✓ Solar PPA compliant billing solution
- ✓ Pattern approved data stream for billing
- ✓ Single phase & three phase compatible in field
- ✓ Direct current and CT options available
- ✓ Expandable and flexible CT sizing on Solar Smart Monitor
- ✓ Simple two wire Modbus communication between devices
- ✓ 4G communications to the cloud
- ✓ Compact and rapid DIN Rail mounting
- ✓ Load Control outputs

Application Information

Introduction

The Solar Analytics billing solution has been designed specifically for applications where pattern approved billing data is required such as Power Purchase Agreements (PPAs), EV charger disaggregation, embedded networks and microgrids.

There are 3 hardware bundles offered as part of the Solar Analytics billing solution. All bundles come with:

- Solar Analytics Smart Monitor with Modbus (MB-63)
- Optional switching circuits
- Modbus cable
- Wiring tail for voltage reference frame (single or three phase)
- Quick Set Up Guide
- 3 x current transformers for Solar Smart Monitor
- 3 x current transformers for CET meter (*CT bundle only*)
- 1 x CET Pattern Approved Meter (size may vary)
- Option to purchase 3 additional CTs & contactors

Compliance

The Solar Smart Monitor meets all relevant compliance and safety requirements for non Pattern Approved hardware in Australia. The CET Meters meet all relevant compliance and safety requirements for Pattern Approved hardware in Australia including NMI M-6 Revenue Metering Approval.

Refer to our detailed manuals for full hardware compliance information. Please note that you may need to undertake specific additional activities to ensure you are using our data in a compliant manner for your application.

Data Streams

Data from up to six channels via Solar Smart Monitor is used for Dashboard displays and performance monitoring.

Data from CET Meter is used for billing purposes only and is available via CSV and API.

Other Information

For Gross solar billing applications one bundle is required. For Net billing applications two bundles are required.

Solar Smart Monitor & CET meters are supplied pre-configured for Modbus communications.

Please note that where additional or different sized CTs are used on Solar Smart Monitor, remote recalibration may be required.

solar  analytics

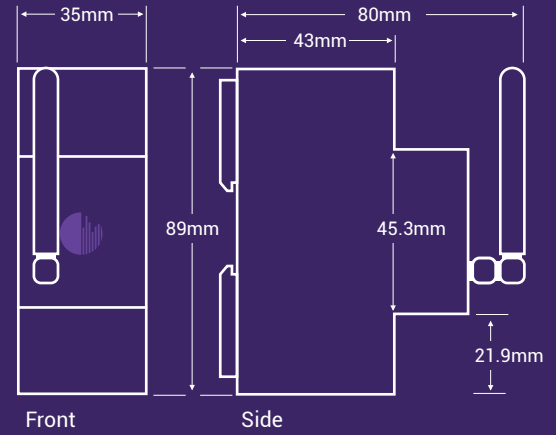
1 300 651 137

www.solaranalytics.com

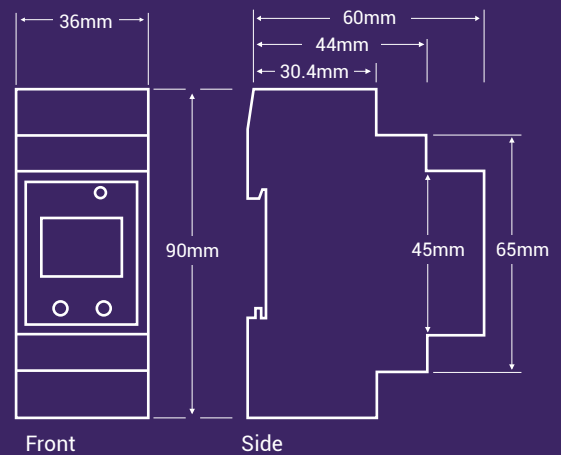
sales@solaranalytics.com

Dimensions

Solar Smart Monitor



CET PMC 220



CET PMC 340 A/B

